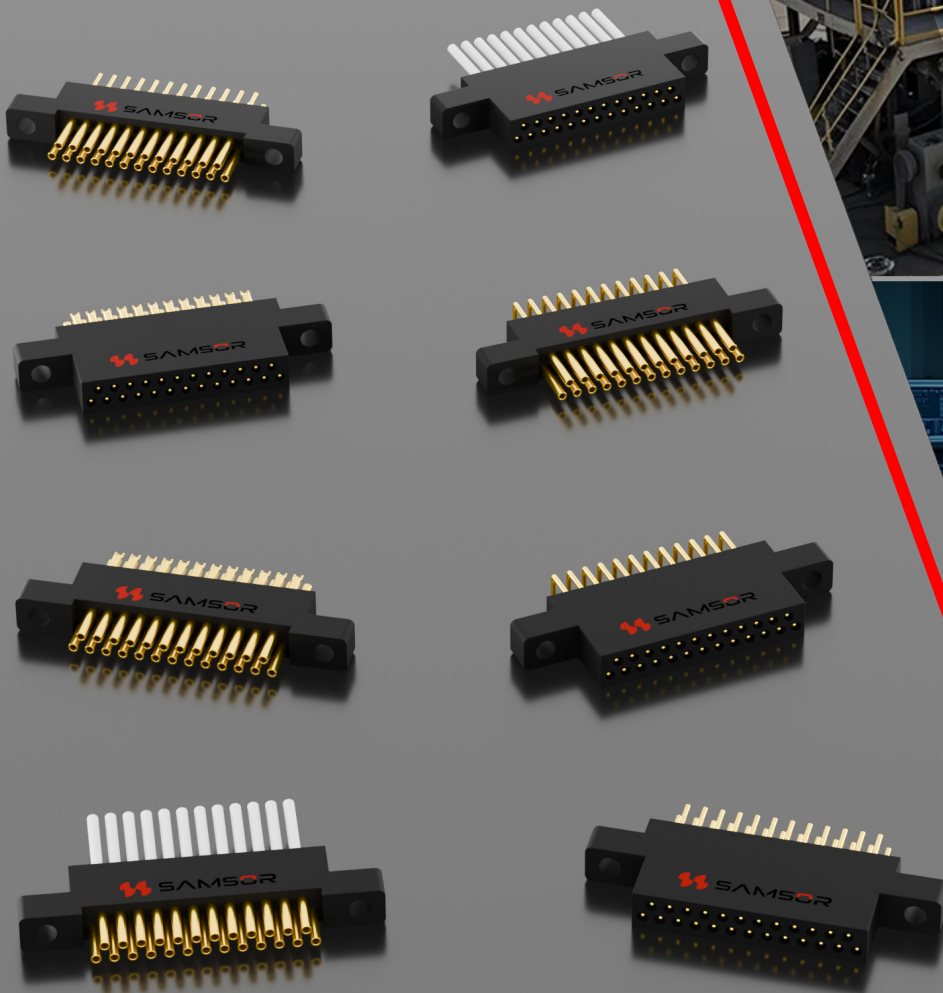





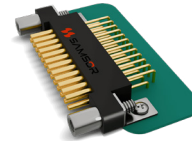
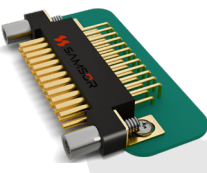

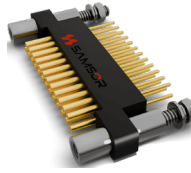
J30V2 Series

Micro Connector



Product Selection Guide

J30V2 Series			
 3 J30V2-TJ	 4 J30V2-ZK	 5 J30V2-TJS	 6 J30V2-ZKS
 7 J30V2-TJN-P3	 9 J30V2-ZKN-P6	 11 J30V2-TJW-P2	 13 J30V2-ZKW-P2
 15 J30V2-TJW-P4	 17 J30V2-ZKW-P4		

J30V2 Accessory Styles			
 19 L1	 19 P7	 20 P1	 20 P2
 21 P4	 21 P3	 22 P6	

Features

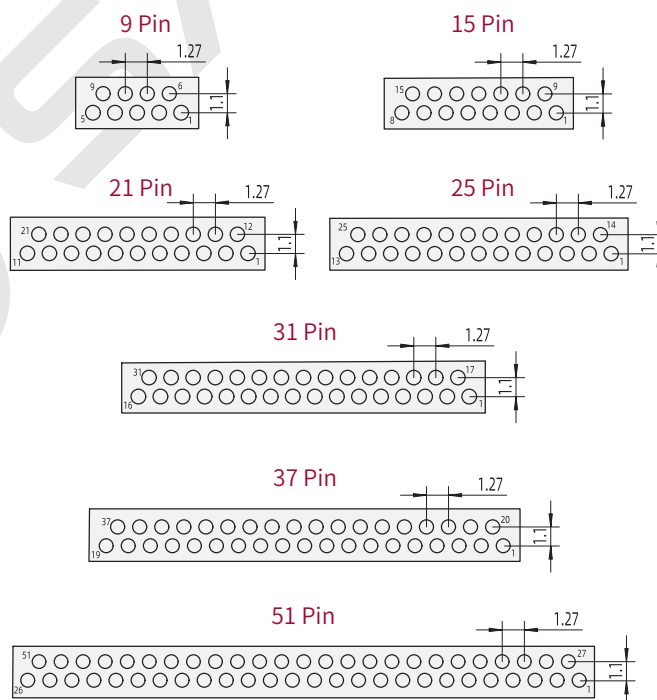
Number of Contacts: 9、15、21、25、31、37 and 51 pins
Adopts stranded-wire elastic contact pins (TwistPin), high contact density, 1.27mm pitch, Compared to the J30 series, it has a smaller volume
The cross-sectional area of the wire core ranges from 0.1mm ² to 0.15mm ²
The product complies with GJB2446A requirements
Implemented per enterprise standard: Q/SS 120-2022

Performance Specifications

Operating Temperature	-55°C ~ +125°C
Vibration	10Hz ~ 2000Hz 196m/s ²
Random vibration	Power density 0.4G ² /Hz.The total acceleration-root-mean square is 23.1G
Shock	735m/s ² 11ms
Rated Current	3 A
Contact Resistance	≤ 10mΩ
Insulation Resistance	≥ 5000MΩ
Dielectric Withstand Voltage	800V
Durability	500 times

Contact Arrangement

Face View Pin Connector



How to order

J30V2	-	25	TJ/ZK	×	-	×	(Note)
-------	---	----	-------	---	---	---	--------

Series: J30V2

Contact Layout: 9、15、21、25、31、37、51

Contact Type: TJ - Plug with Pin ZK - Receptacle with Socket

Termination Type:

Omit - Pre-wired N - Vertical PCB W - Right Angle PCB S - Solder Cup

Hardware Type:

- L1 - With M1.6 Standard Jackscrew Accessory
 - P1 - With Vertical Mounting Jackscrew Accessory
 - P2 - With Mounting Bracket and Coupling Jackpost Accessory
 - P3 - With Support Sleeve Vertical Mounting Jackpost Accessory
 - P4 - With Mounting Bracket for Horizontal Solder Mounting Accessory
 - P6 - With Support Sleeve Vertical Mounting Jackscrew ((Extended version based on P3)
 - P7 - With Coupling Jackpost Accessory (non-mounting, only for locking)
- (Hardware cannot be arbitrarily matched; the base style is fixed accordingly once the locking component is selected)*

Note: Wire Requirements for Pre-wired Product

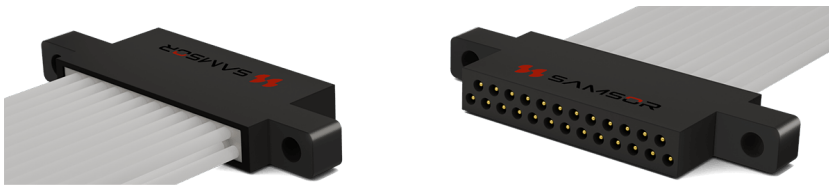
If not specified, the default configuration is L=250 mm, AFR250 - 0.12mm²-250V, White
 If there are other requirements, specify as follows: Wire length (from the rear exit point, unit: mm, default: 250mm); Braid shield (P - Lightweight braided shield; default: no braid shield); Nylon sleeve(F - for military green nylon sleeve; Default: No nylon sleeve); Wire Grade (commonly AFR250, default AFR250); Wire Gauge(compatible with 0.1mm² - 0.15mm², default: 0.12mm²); Wire Color (optional multiple colors, default: white), Default items may be omitted; all other requirements can be noted. Remarks do not appear on product markings. They only serve as wire requirements for ordering terminal products with leads.For additional wiring definitions or requirements, please contact our engineers.

Note Examples:

- (L600PF AFR250 0.15 White) - Length: 600mm, white wire, type AFR250, Gauge: 0.15mm², with braid shield and nylon sleeve over the shield
- (L300F 0.1) - Length: 300mm, white wire, type AFR250, Gauge: 0.1mm², without braid shield, with nylon sleeve over the wire

Pre-wired Plug-J30V2-TJ

J30V2	-	25	TJ	×	(Note)
-------	---	----	----	---	--------



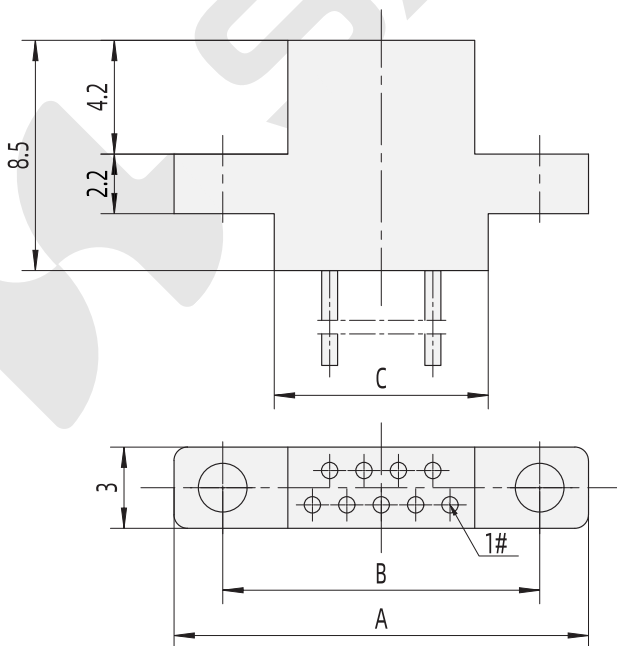
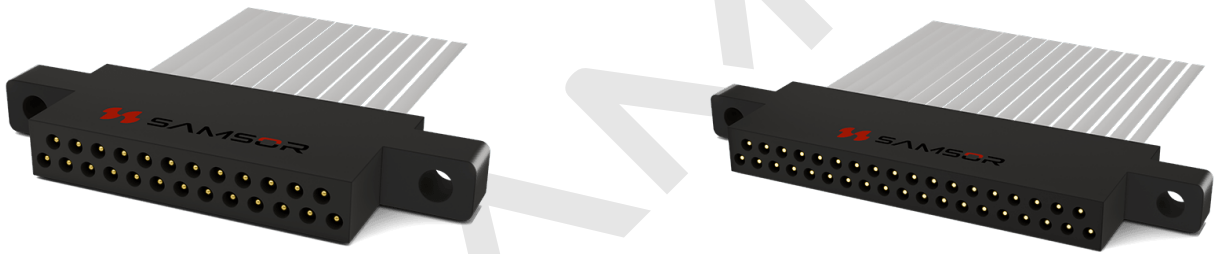
Series: J30V2

Contact Layout: 9、15、21、25、31、37、51

Contact Type: TJ - Plug with Pin

Hardware Type: L1 - Locking Jackscrew for free end P1、 P2 - Jackpost accessories for fixed end
 P7 - Locking Jackpost accessory for free end (Refer to Hardware section for details)

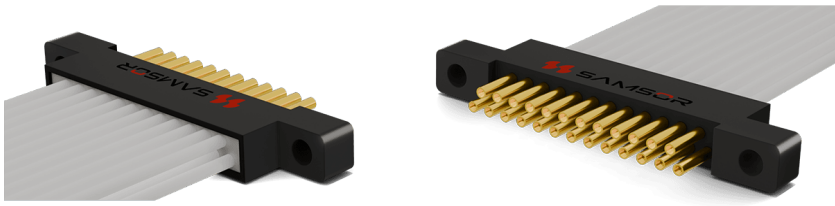
Note: For wire configuration, please refer to the notes in the "Model Naming" section



Type	A	B	C
J30V2-9TJ	15.3	11.7	7.9
J30V2-15TJ	19.1	15.5	11.7
J30V2-21TJ	22.9	19.3	15.5
J30V2-25TJ	25.5	21.9	18.1
J30V2-31TJ	29.3	25.7	21.9
J30V2-37TJ	33.1	29.5	25.8
J30V2-51TJ	42	38.4	34.7

Pre-wired Receptacle-J30V2-ZK

J30V2	-	25	ZK	×	(Note)
-------	---	----	----	---	--------



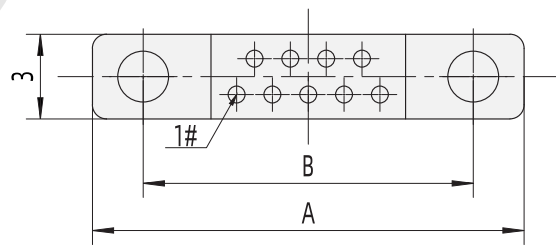
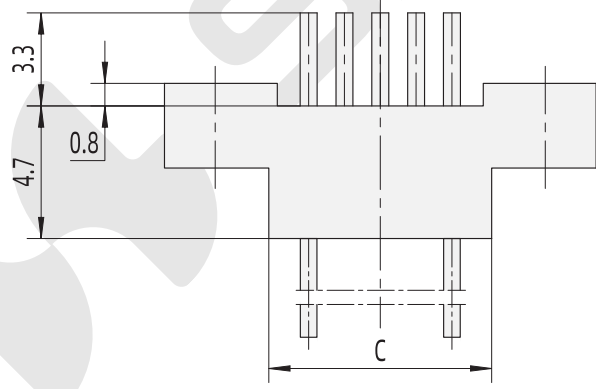
Series: J30V2

Contact Layout: 9、15、21、25、31、37、51

Contact Type: ZK - Receptacle with Socket

Hardware Type: L1 - Locking Jackscrew for free end P1、 P2 - Jackpost accessories for fixed end
P7 - Locking Jackpost accessory for free end (Refer to Hardware section for details)

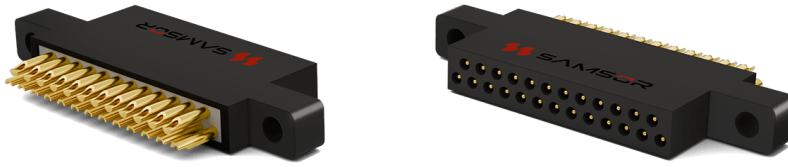
Note: For wire configuration, please refer to the notes in the "Model Naming" section



Type	A	B	C
J30V2-9ZK	15.3	11.7	7.9
J30V2-15ZK	19.1	15.5	11.7
J30V2-21ZK	22.9	19.3	15.5
J30V2-25ZK	25.5	21.9	18.1
J30V2-31ZK	29.3	25.7	21.9
J30V2-37ZK	33.1	29.5	25.8
J30V2-51ZK	42	38.4	34.7

Solder Cup Plug-J30V2-TJS

J30V2	-	25	TJ	S	-	×
-------	---	----	----	---	---	---



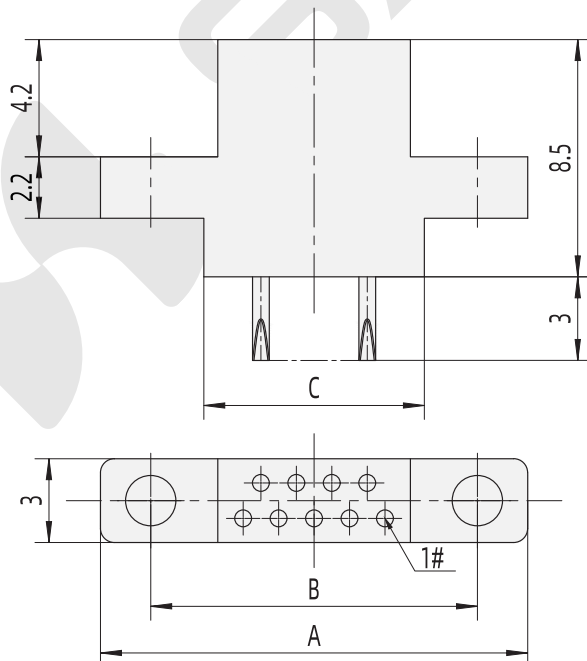
Series: J30V2

Contact Layout: 9、15、21、25、31、37、51

Contact Type: TJ - Plug with Pin

Termination Type: S - Solder Cup

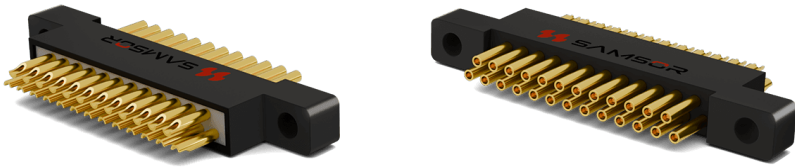
Hardware Type: L1 - Locking Jackscrew for free end P1、 P2 - Jackpost accessories for fixed end
 P7 - Locking Jackpost accessory for free end (Refer to Hardware section for details)



Type	A	B	C
J30V2-9TJS	15.3	11.7	7.9
J30V2-15TJS	19.1	15.5	11.7
J30V2-21TJS	22.9	19.3	15.5
J30V2-25TJS	25.5	21.9	18.1
J30V2-31TJS	29.3	25.7	21.9
J30V2-37TJS	33.1	29.5	25.8
J30V2-51TJS	42	38.4	34.7

Solder Cup Receptacle-J30V2-ZKS

J30V2	-	25	ZK	S	-	×
-------	---	----	----	---	---	---



Series: J30V2

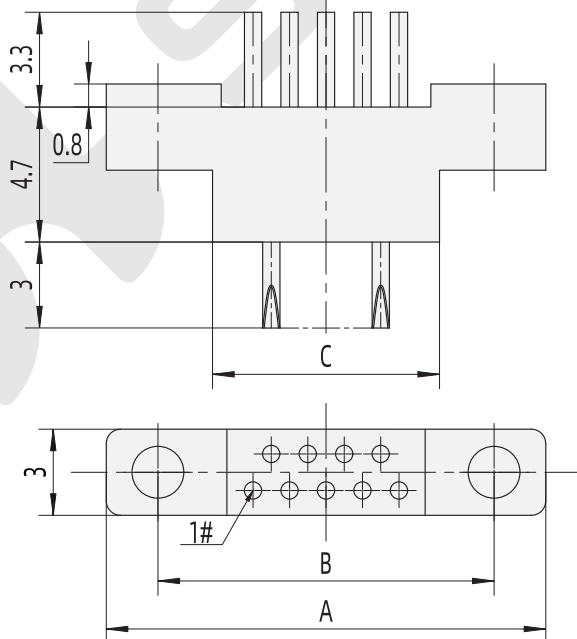
Contact Layout: 9, 15, 21, 25, 31, 37, 51

Contact Type: ZK - Receptacle with Socket

Termination Type: S - Solder Cup

Hardware Type: L1 - Locking Jackscrew for free end
P7 - Locking Jackpost accessory for free end

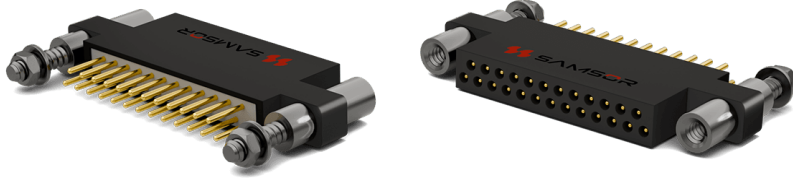
P1, P2 - Jackpost accessories for fixed end
(Refer to Hardware section for details)



Type	A	B	C
J30V2-9ZKS	15.3	11.7	7.9
J30V2-15ZKS	19.1	15.5	11.7
J30V2-21ZKS	22.9	19.3	15.5
J30V2-25ZKS	25.5	21.9	18.1
J30V2-31ZKS	29.3	25.7	21.9
J30V2-37ZKS	33.1	29.5	25.8
J30V2-51ZKS	42	38.4	34.7

PCB Plug-Vertical-J30V2-TJN

J30V2	-	25	TJ	N	-	P3
-------	---	----	----	---	---	----



Series: J30V2

Contact Layout: 9、15、21、25、31、37、51

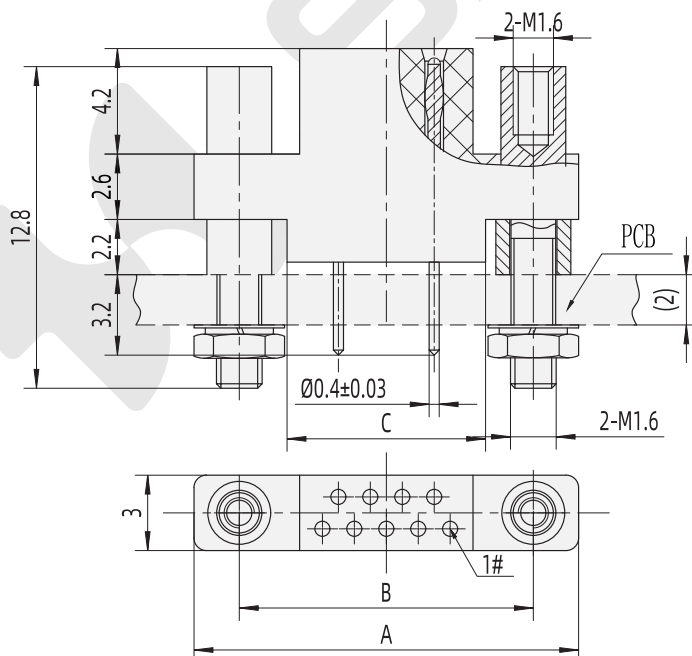
Contact Type: TJ - Plug with Pin

Termination Type: N - Vertical PCB

Hardware Type:

P3 - With Support Sleeve Vertical Mounting Jackpost Accessory

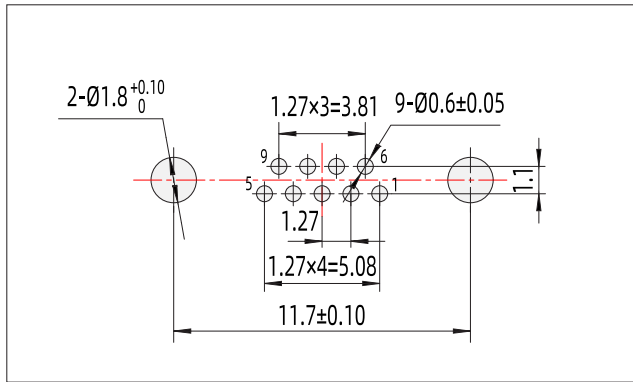
(Refer to Hardware section for details)



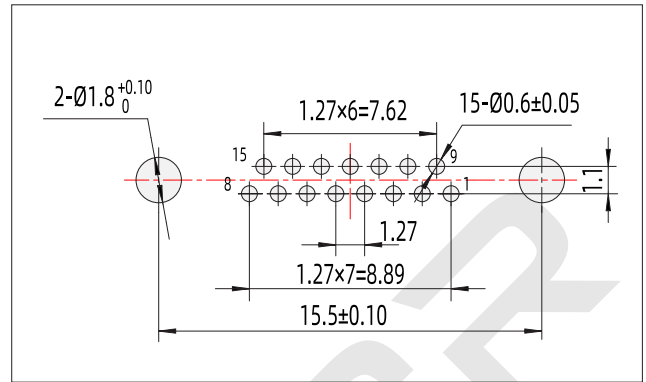
Type	A	B	C
J30V2-9TJN-P3	15.3	11.7	7.9
J30V2-15TJN-P3	19.1	15.5	11.7
J30V2-21TJN-P3	22.9	19.3	15.5
J30V2-25TJN-P3	25.5	21.9	18.1
J30V2-31TJN-P3	29.3	25.7	21.9
J30V2-37TJN-P3	33.1	29.5	25.8
J30V2-51TJN-P3	42	38.4	34.7

J30V2- xTJN-P3 Plug PCB Cutout Dimensions(Grid Spacing 1.27×1.1)

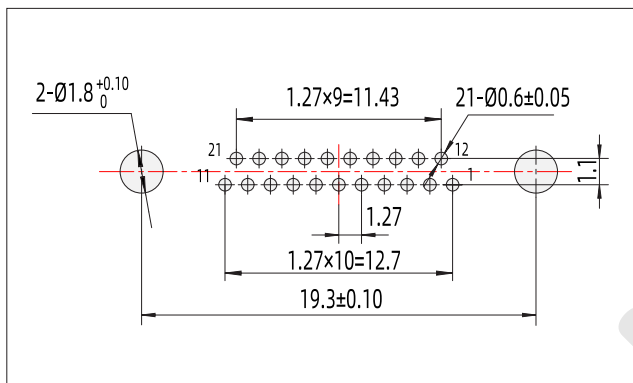
Connector-to-PCB Orientation View



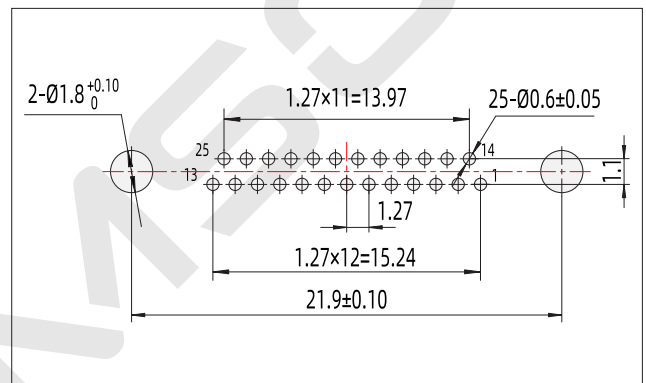
J30V2-9TJN-P3



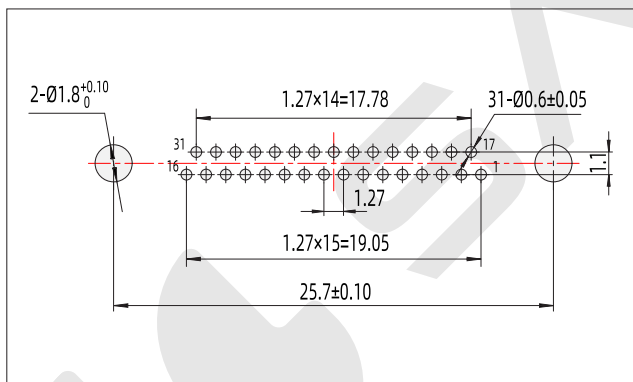
J30V2-15TJN-P3



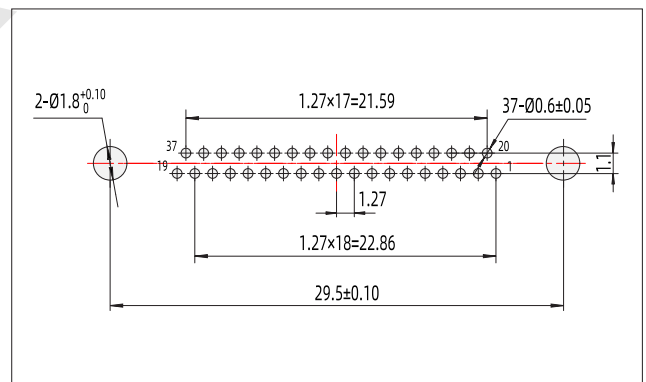
J30V2-21TJN-P3



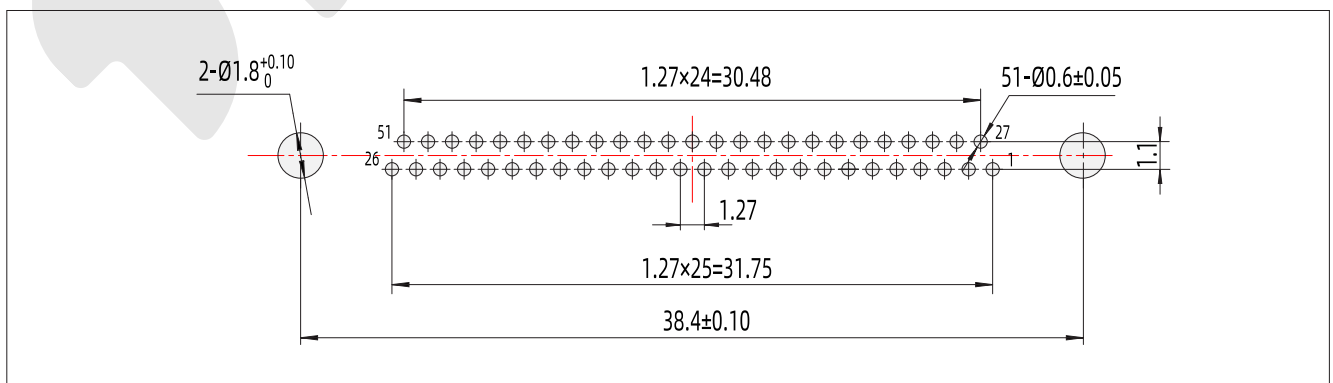
J30V2-25TJN-P3



J30V2-31TJN-P3



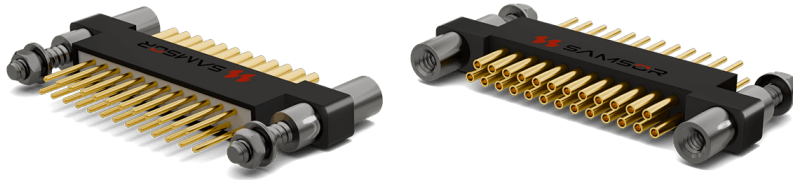
J30V2-37TJN-P3



J30V2-51TJN-P3

PCB Receptacle-Vertical-J30V2-ZKN

J30V2	-	25	ZK	N	-	P6
-------	---	----	----	---	---	----



Series: J30V2

Contact Layout: 9、15、21、25、31、37、51

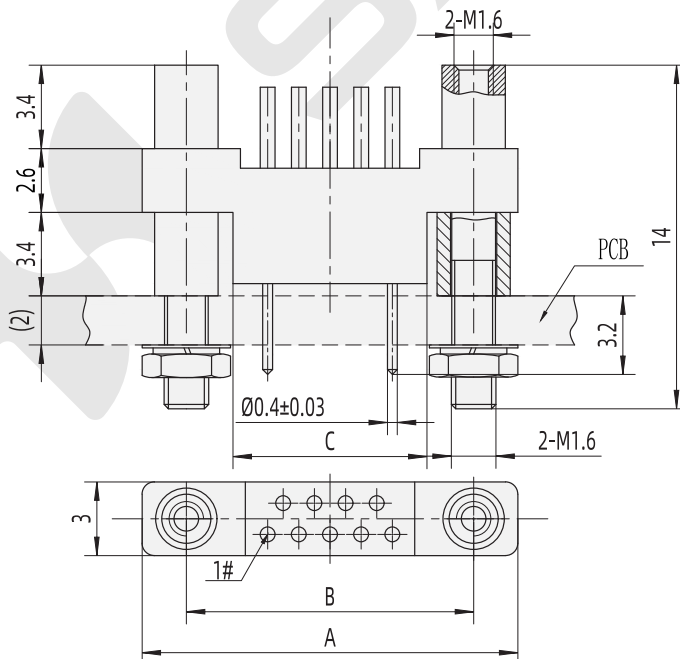
Contact Type: ZK - Receptacle with Socket

Termination Type: N - Vertical PCB

Hardware Type:

P6 - Extended version based on P3 (For use with J30V2-ZKN only)

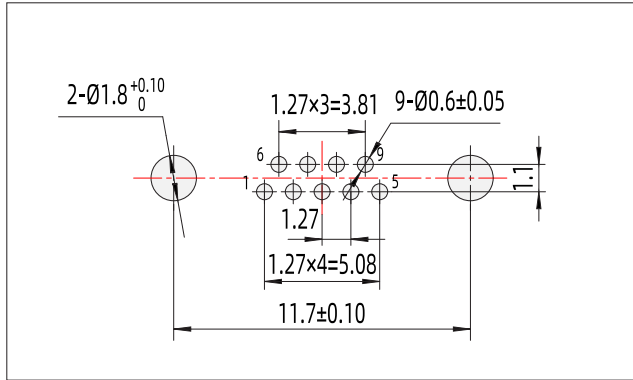
(Refer to Hardware section for details)



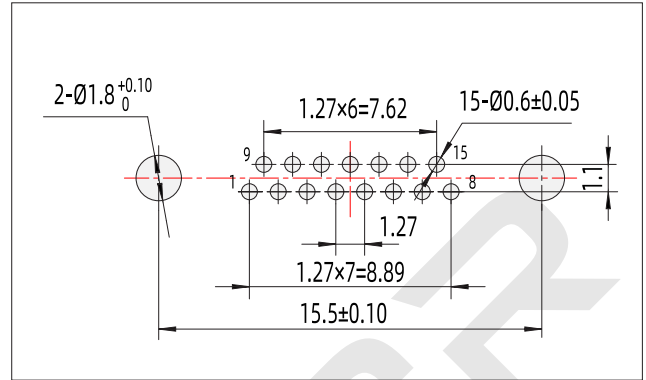
Type	A	B	C
J30V2-9ZKN-P6	15.3	11.7	7.9
J30V2-15ZKN-P6	19.1	15.5	11.7
J30V2-21ZKN-P6	22.9	19.3	15.5
J30V2-25ZKN-P6	25.5	21.9	18.1
J30V2-31ZKN-P6	29.3	25.7	21.9
J30V2-37ZKN-P6	33.1	29.5	25.8
J30V2-51ZKN-P6	42	38.4	34.7

J30V2- xZKN-P6 Receptacle PCB Cutout Dimensions(Grid Spacing 1.27×1.1)

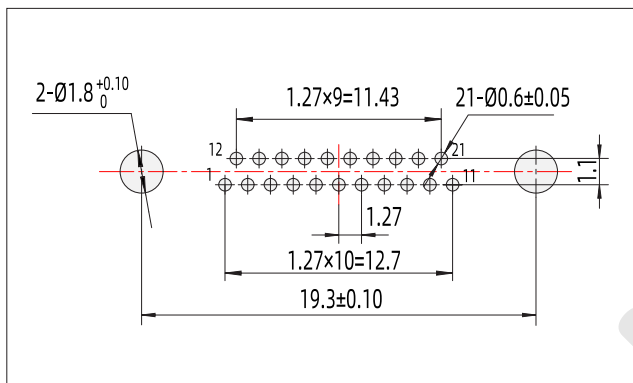
Connector-to-PCB Orientation View



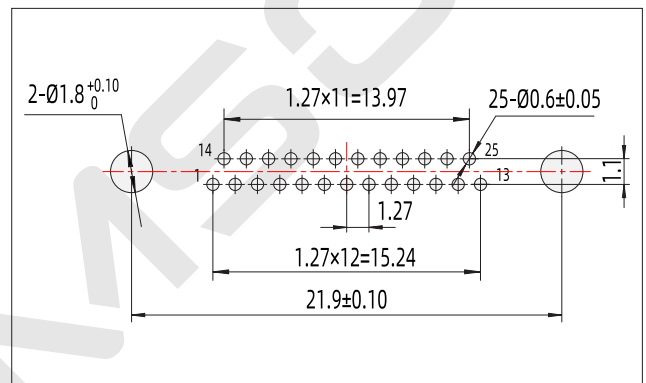
J30V2-9ZKN-P6



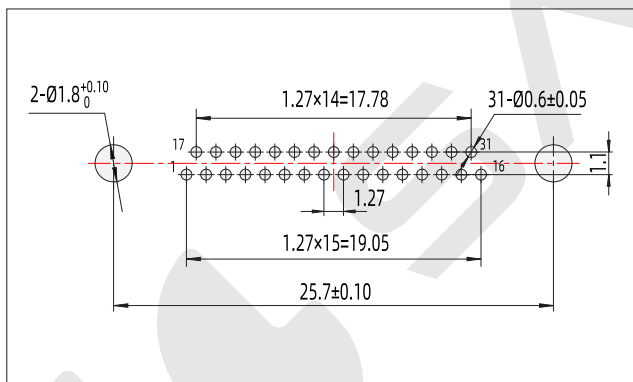
J30V2-15ZKN-P6



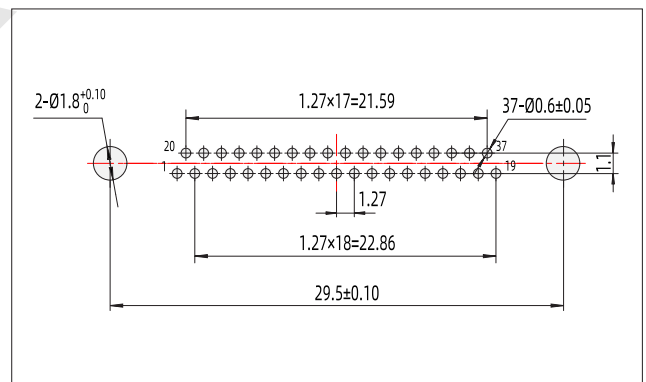
J30V2-21ZKN-P6



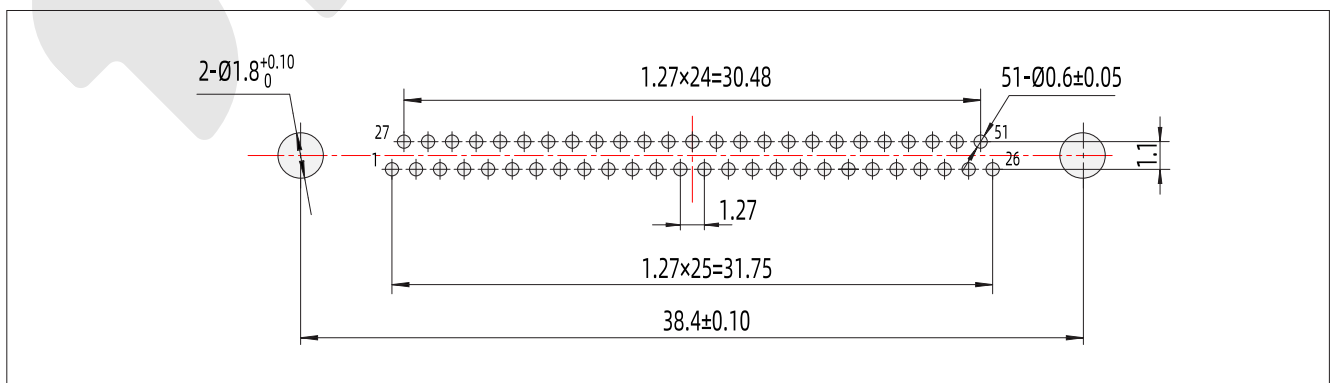
J30V2-25ZKN-P6



J30V2-31ZKN-P6



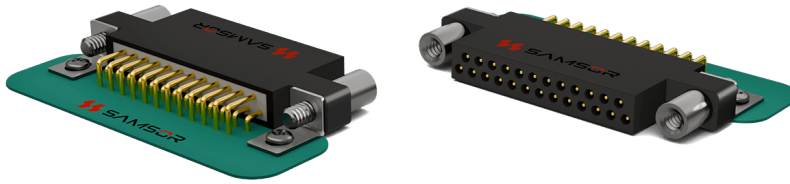
J30V2-37ZKN-P6



J30V2-51ZKN-P6

PCB Plug-Right Angle-J30V2-TJW-P2

J30V2	-	25	TJ	W	-	P2
-------	---	----	----	---	---	----



Series: J30V2

Contact Layout: 9、15、21、25、31、37、51

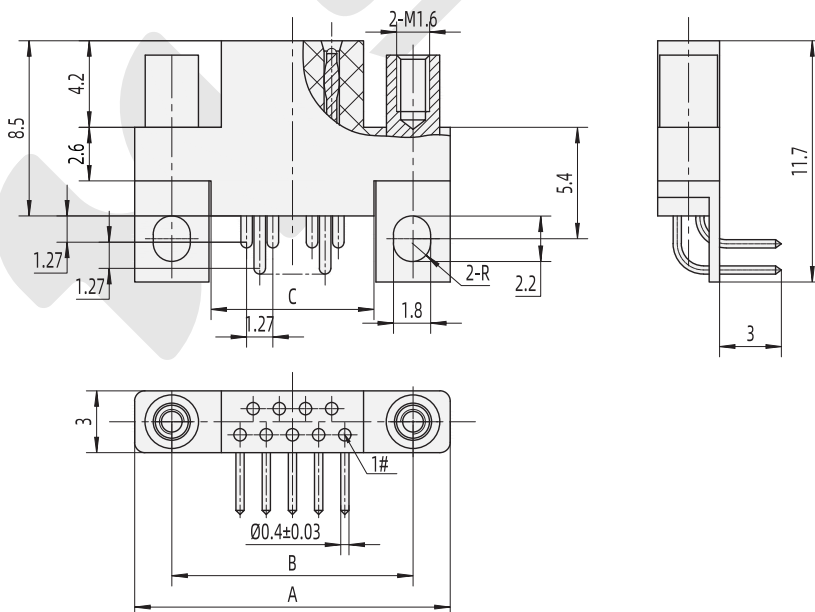
Contact Type: TJ - Plug with Pin

Termination Type: W - Right Angle PCB

Hardware Type:

P2 - Connecting Jackpost accessory with mounting bracket

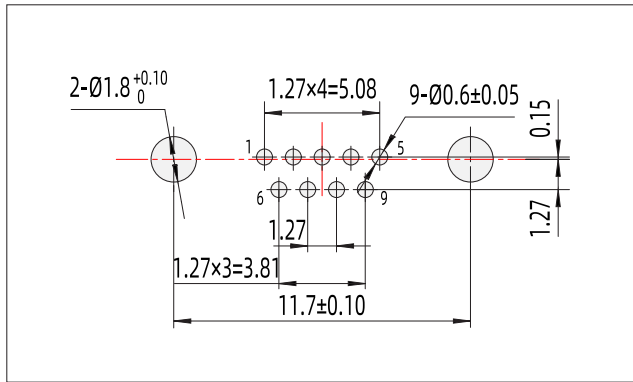
(Refer to Hardware section for details)



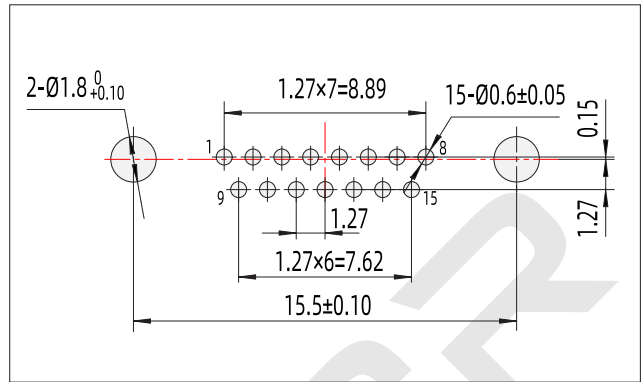
Type	A	B	C
J30V2-9TJW-P2	15.3	11.7	7.9
J30V2-15TJW-P2	19.1	15.5	11.7
J30V2-21TJW-P2	22.9	19.3	15.5
J30V2-25TJW-P2	25.5	21.9	18.1
J30V2-31TJW-P2	29.3	25.7	21.9
J30V2-37TJW-P2	33.1	29.5	25.8
J30V2-51TJW-P2	42	38.4	34.7

J30V2- TJW-P2 Plug PCB Cutout Dimensions(Grid Spacing 1.27×1.27)

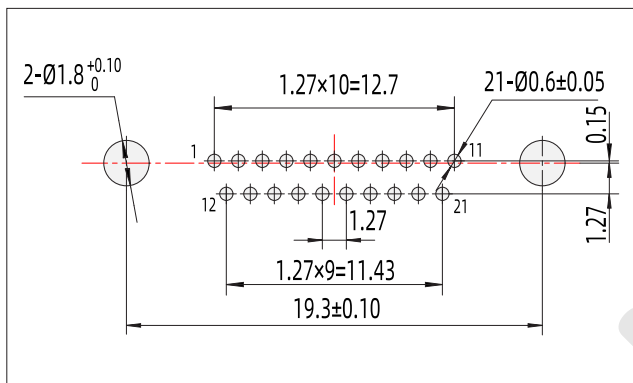
Connector-to-PCB Orientation View



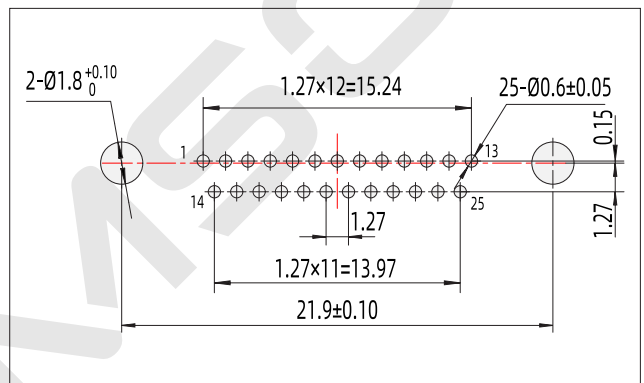
J30V2-9TJW-P2



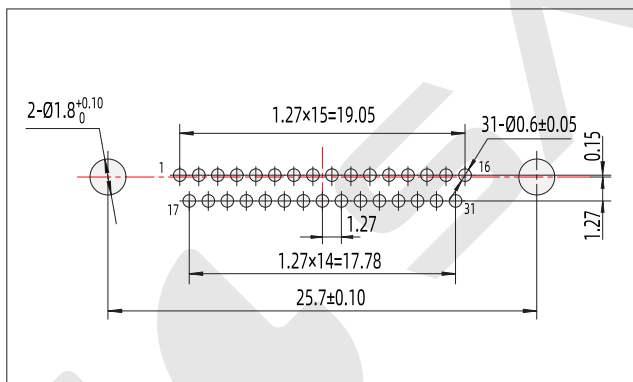
J30V2-15TJW-P2



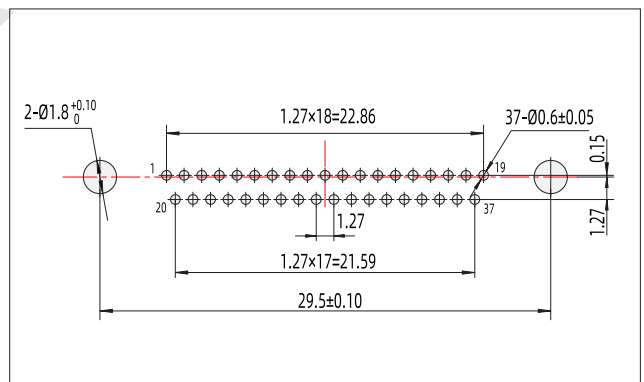
J30V2-21TJW-P2



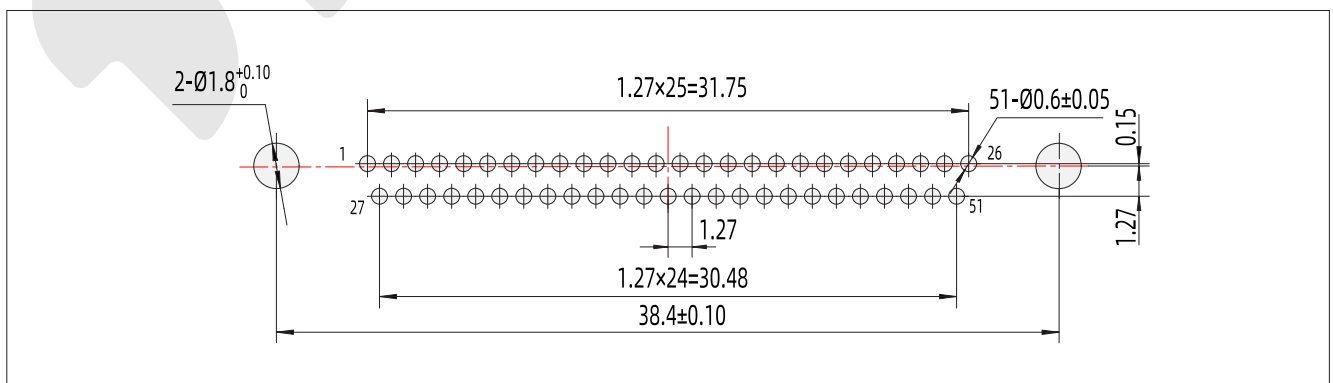
J30V2-25TJW-P2



J30V2-31TJW-P2



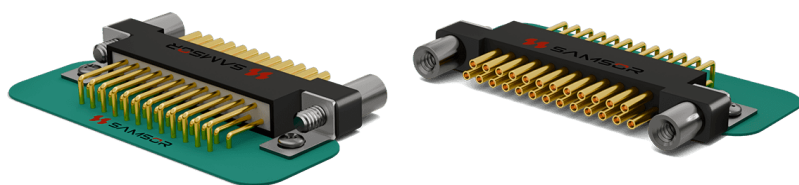
J30V2-37TJW-P2



J30V2-51TJW-P2

PCB Receptacle-Right Angle-J30V2-ZKW-P2

J30V2	-	25	ZK	W	-	P2
-------	---	----	----	---	---	----



Series: J30V2

Contact Layout: 9、15、21、25、31、37、51

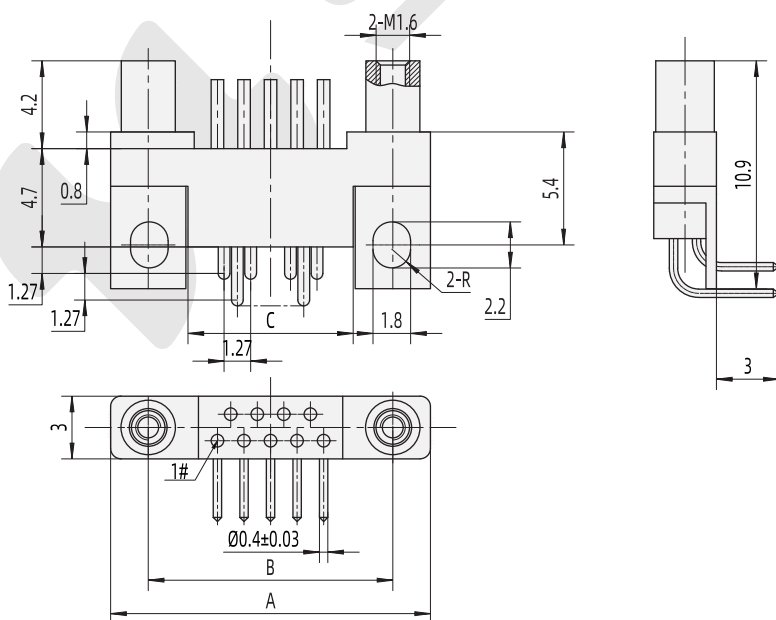
Contact Type: ZK - Receptacle with Socket

Termination Type: W - Right Angle PCB

Hardware Type:

P2 - Connecting Jackpost accessory with mounting bracket

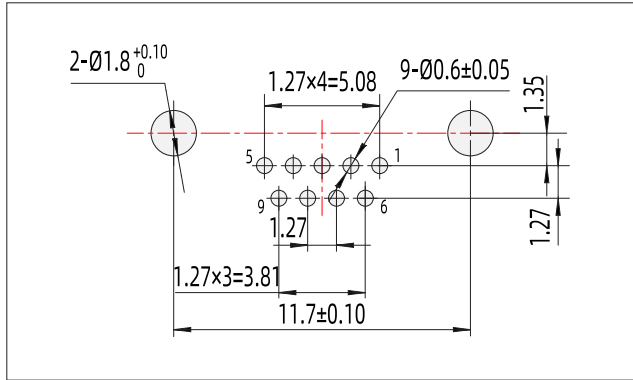
(Refer to Hardware section for details)



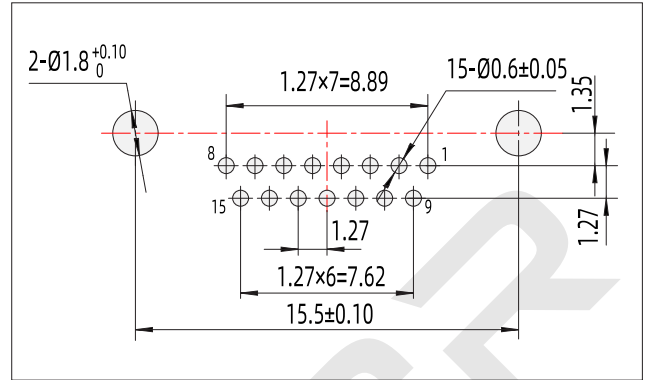
Type	A	B	C
J30V2-9ZKW-P2	15.3	11.7	7.9
J30V2-15ZKW-P2	19.1	15.5	11.7
J30V2-21ZKW-P2	22.9	19.3	15.5
J30V2-25ZKW-P2	25.5	21.9	18.1
J30V2-31ZKW-P2	29.3	25.7	21.9
J30V2-37ZKW-P2	33.1	29.5	25.8
J30V2-51ZKW-P2	42	38.4	34.7

J30V2- ZKW-P2 Receptacle PCB Cutout Dimensions(Grid Spacing 1.27×1.27)

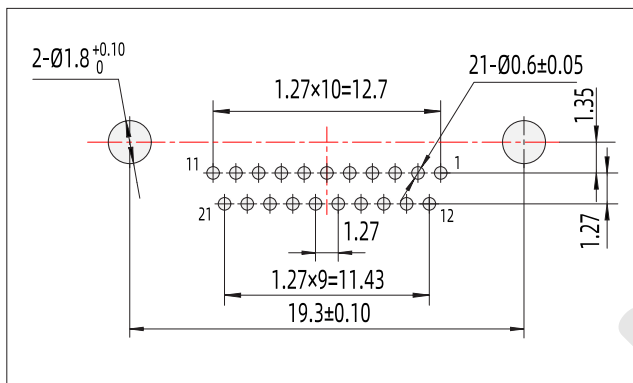
Connector-to-PCB Orientation View



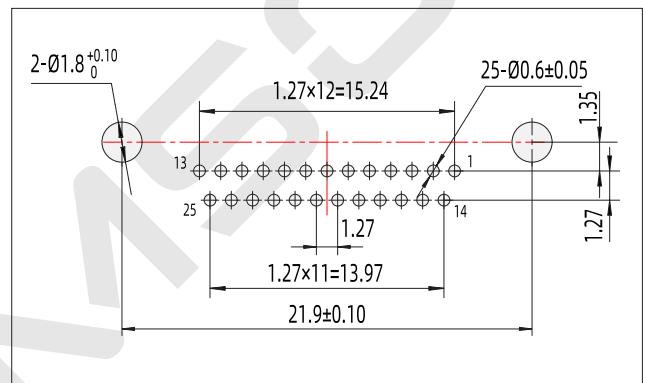
J30V2-9ZKW-P2



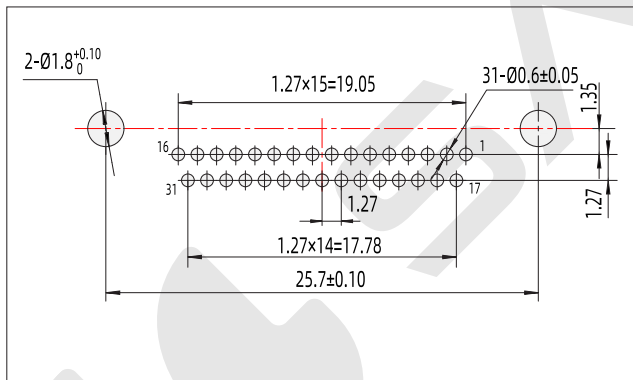
J30V2-15ZKW-P2



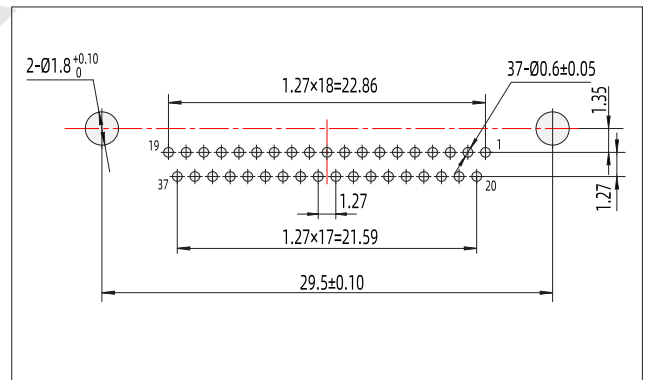
J30V2-21ZKW-P2



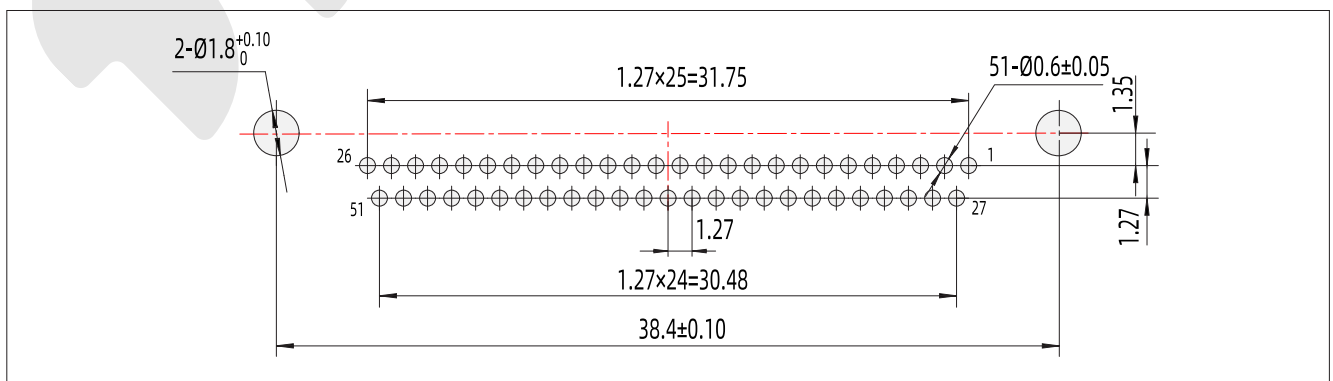
J30V2-25ZKW-P2



J30V2-31ZKW-P2



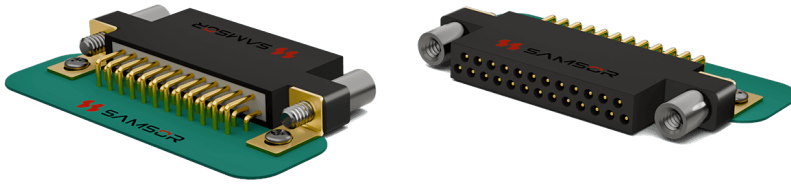
J30V2-37ZKW-P2



J30V2-51ZKW-P2

PCB Plug-Right Angle-J30V2-TJW-P4

J30V2	-	25	TJ	W	-	P4
-------	---	----	----	---	---	----



Series: J30V2

Contact Layout: 9、15、21、25、31、37、51

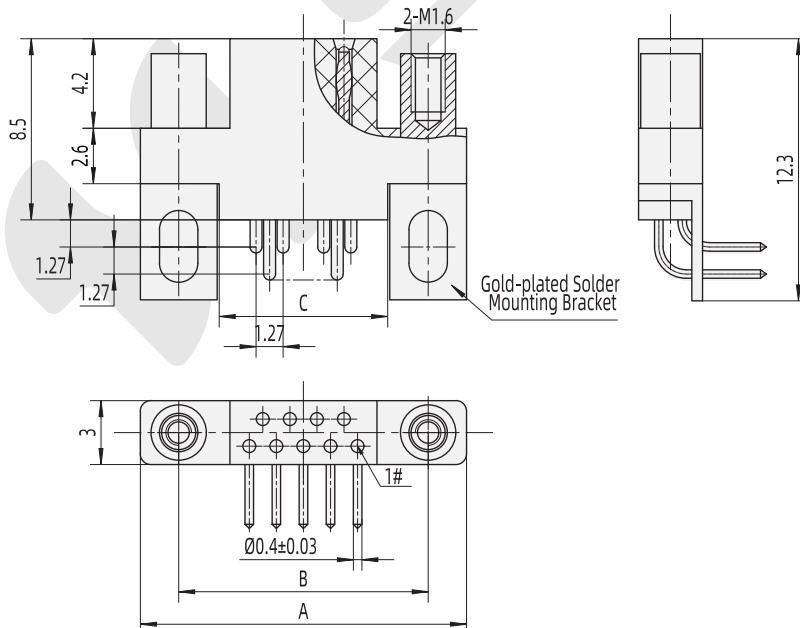
Contact Type: TJ - Plug with Pin

Termination Type: W - Right Angle PCB

Hardware Type:

P4 - Horizontal solder mount accessory with mounting bracket

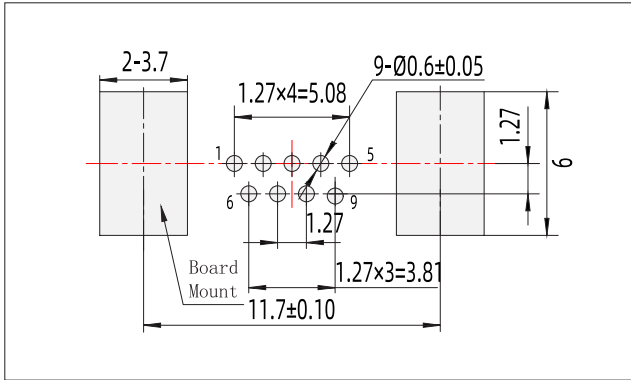
(Refer to Hardware section for details)



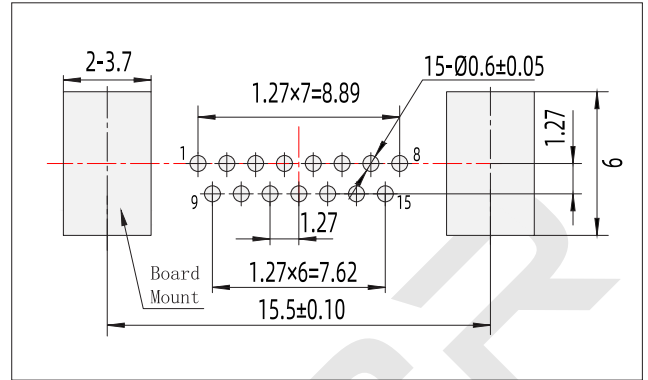
Type	A	B	C
J30V2-9TJW-P4	15.3	11.7	7.9
J30V2-15TJW-P4	19.1	15.5	11.7
J30V2-21TJW-P4	22.9	19.3	15.5
J30V2-25TJW-P4	25.5	21.9	18.1
J30V2-31TJW-P4	29.3	25.7	21.9
J30V2-37TJW-P4	33.1	29.5	25.8
J30V2-51TJW-P4	42	38.4	34.7

J30V2- TJW-P4 Plug PCB Cutout Dimensions(Grid Spacing 1.27×1.27)

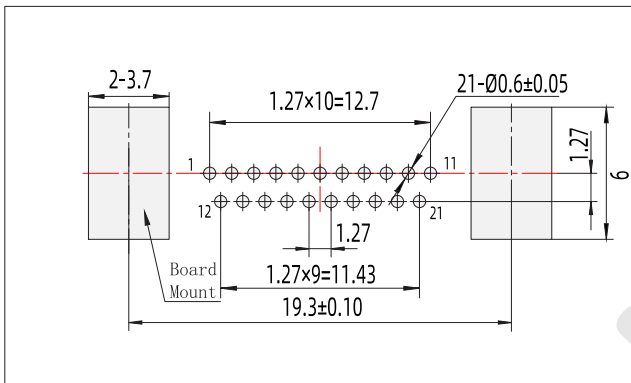
Connector-to-PCB Orientation View



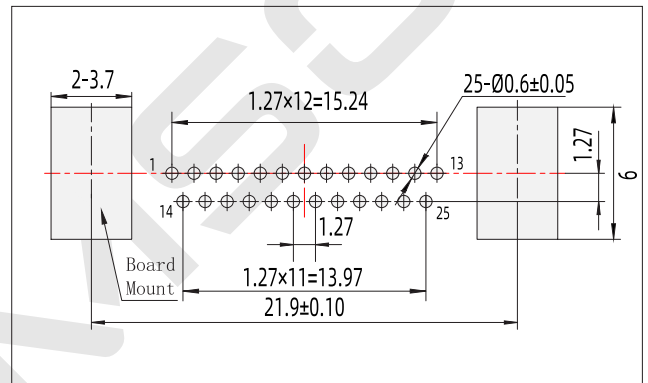
J30V2-9TJW-P4



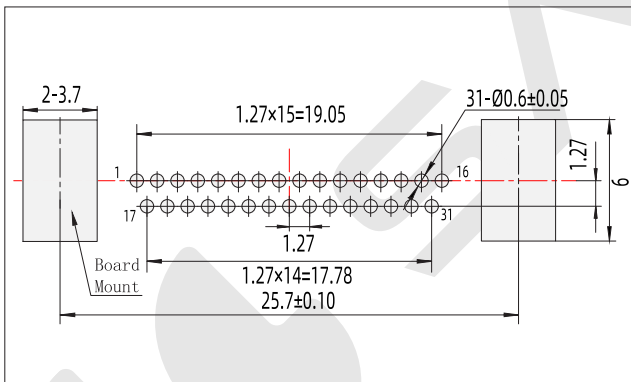
J30V2-15TJW-P4



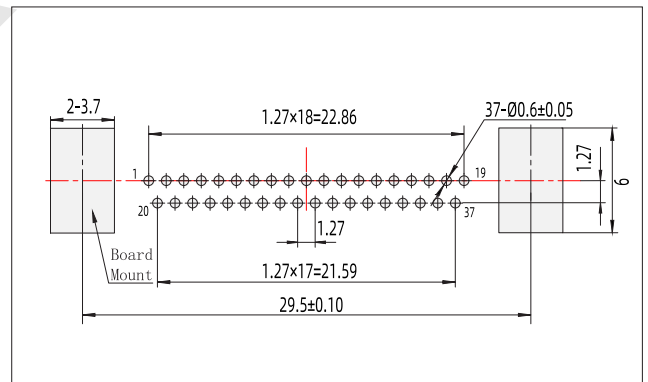
J30V2-21TJW-P4



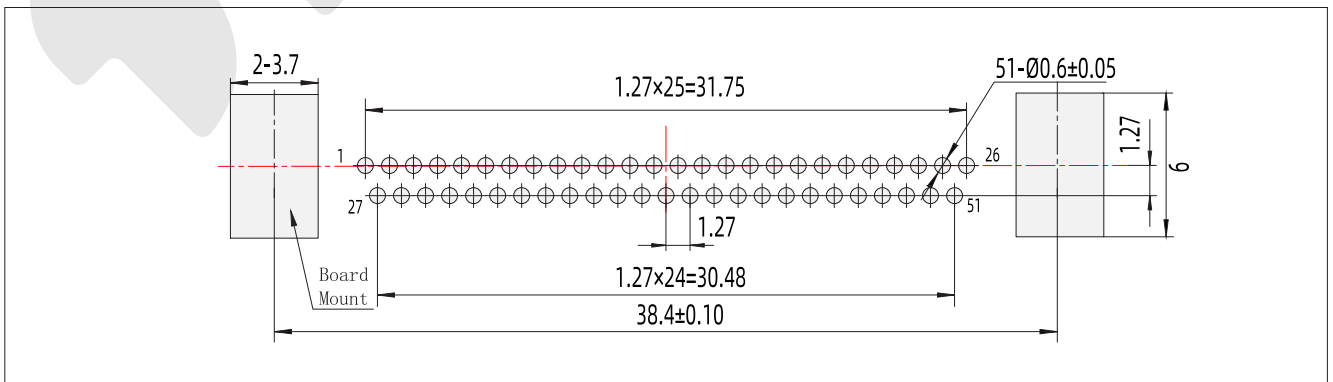
J30V2-25TJW-P4



J30V2-31TJW-P4



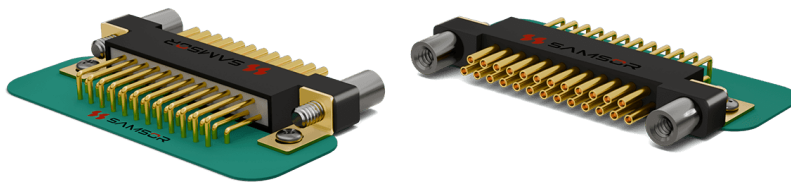
J30V2-37TJW-P4



J30V2-51TJW-P4

PCB Receptacle-Right Angle-J30V2-ZKW-P4

J30V2	-	25	ZK	W	-	P4
-------	---	----	----	---	---	----



Series: J30V2

Contact Layout: 9、15、21、25、31、37、51

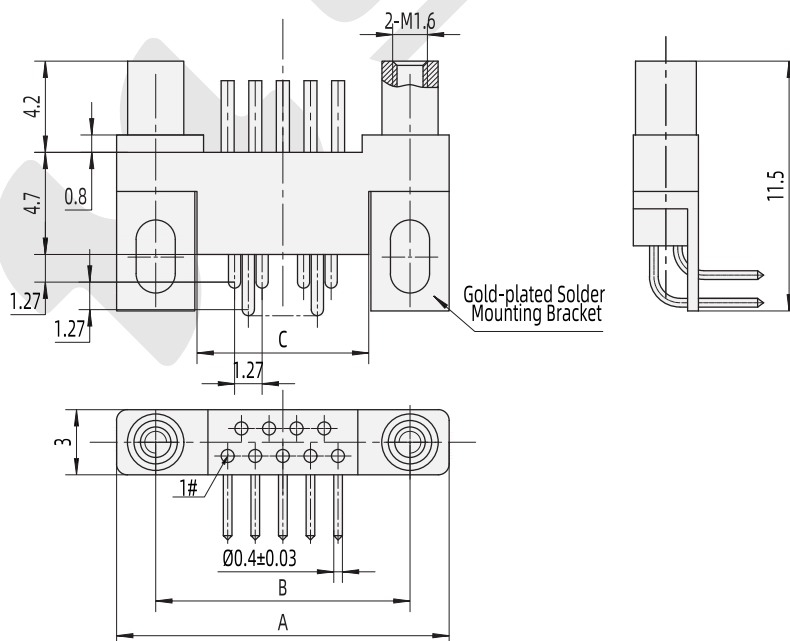
Contact Type: ZK - Receptacle with Socket

Termination Type: W - Right Angle PCB

Hardware Type:

P4 - Horizontal solder mount accessory with mounting bracket

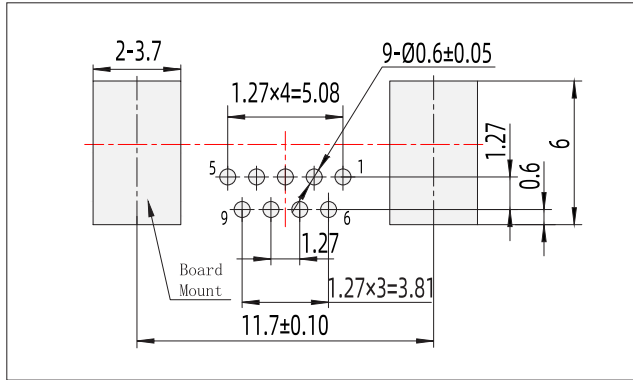
(Refer to Hardware section for details)



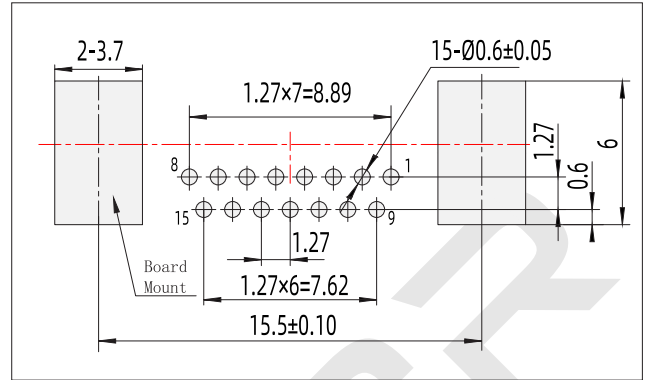
Type	A	B	C
J30V2-9ZKW-P4	15.3	11.7	7.9
J30V2-15ZKW-P4	19.1	15.5	11.7
J30V2-21ZKW-P4	22.9	19.3	15.5
J30V2-25ZKW-P4	25.5	21.9	18.1
J30V2-31ZKW-P4	29.3	25.7	21.9
J30V2-37ZKW-P4	33.1	29.5	25.8
J30V2-51ZKW-P4	42	38.4	34.7

J30V2- xZKW-P4 Receptacle PCB Cutout Dimensions(Grid Spacing 1.27×1.27)

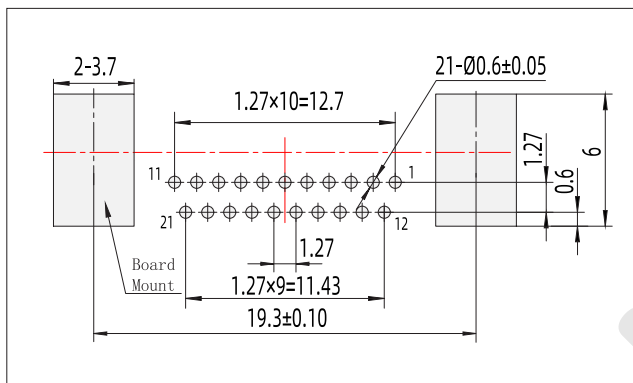
Connector-to-PCB Orientation View



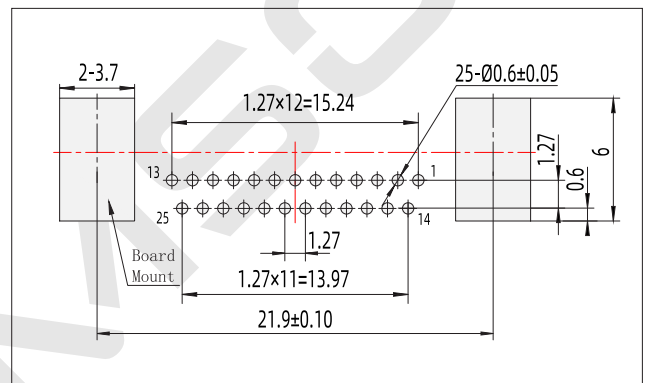
J30V2-9ZKW-P4



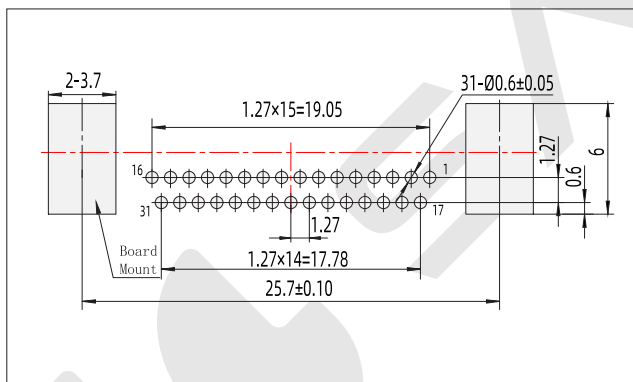
J30V2-15ZKW-P4



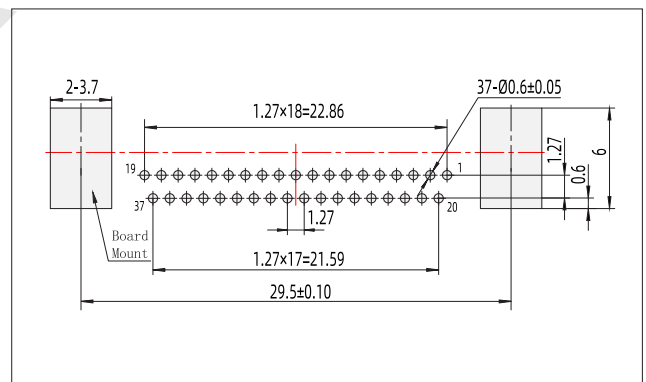
J30V2-21ZKW-P4



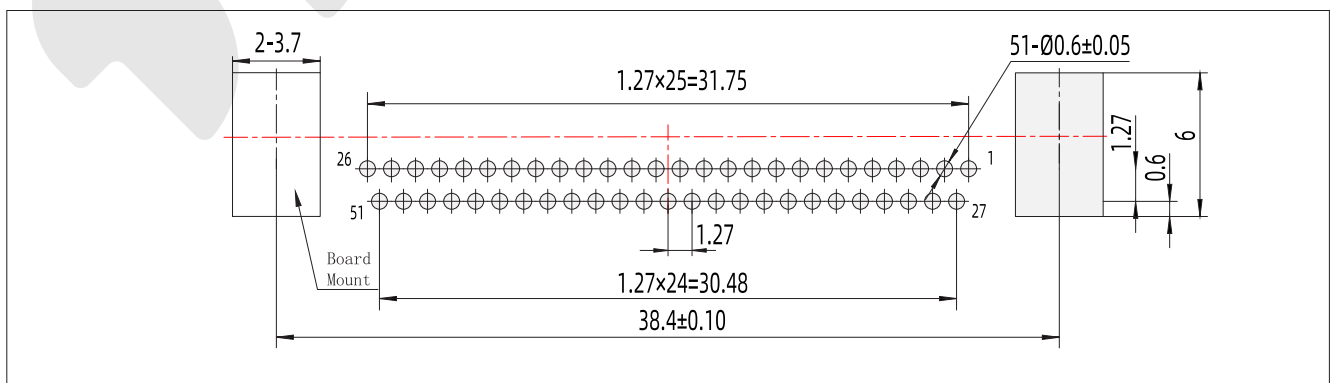
J30V2-25ZKW-P4



J30V2-31ZKW-P4



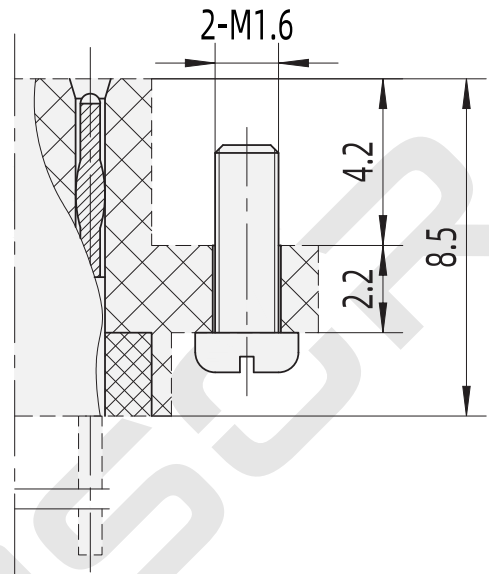
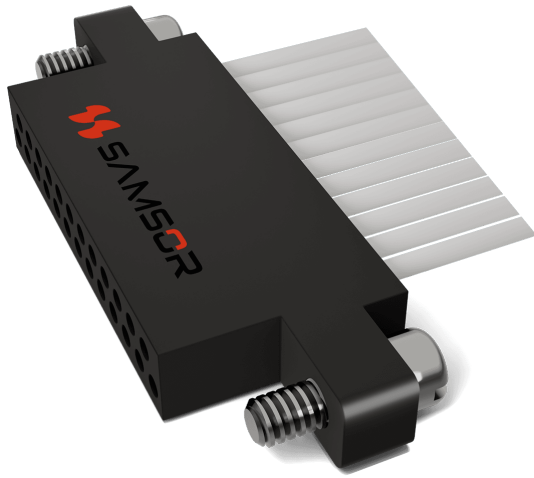
J30V2-37ZKW-P4



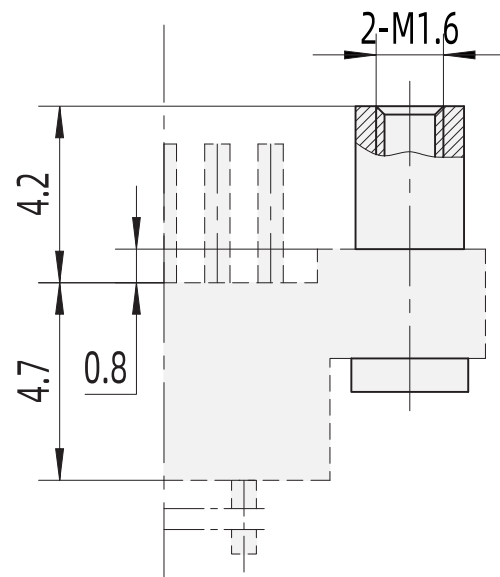
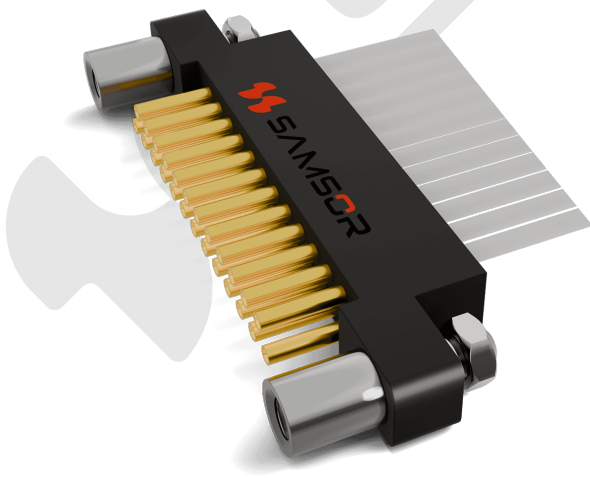
J30V2-51ZKW-P4

Hardware-Free End

L1

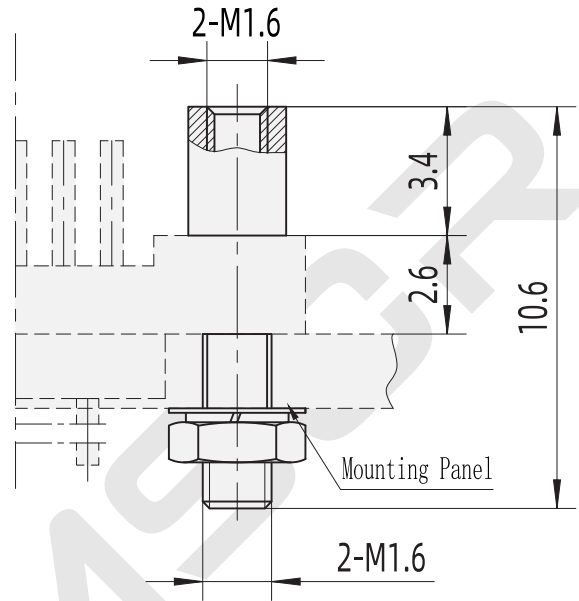
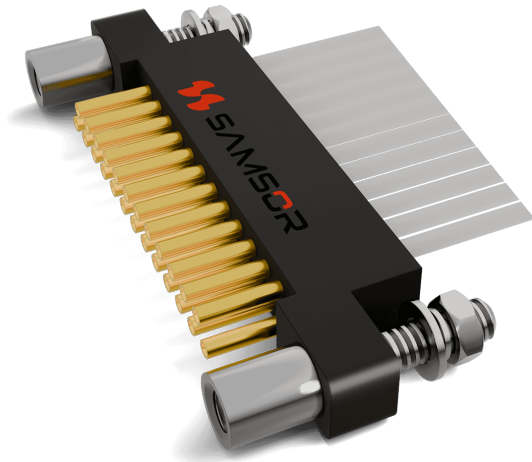


P7

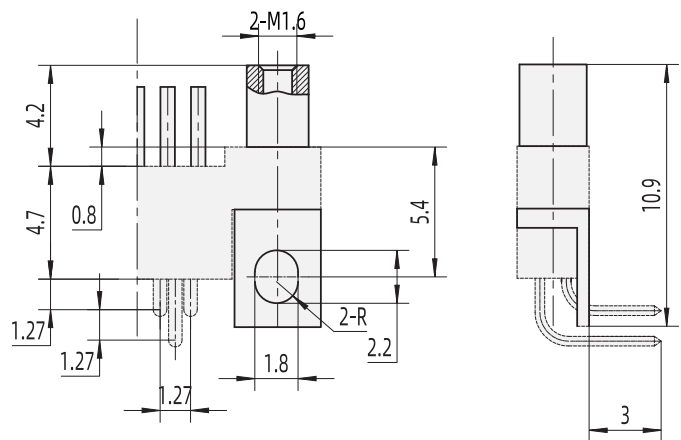
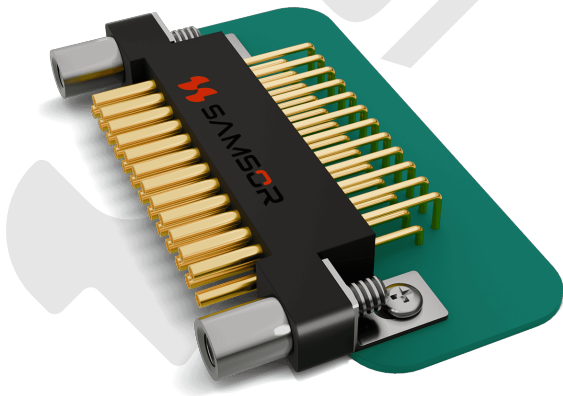


Hardware-Fixed End

P1

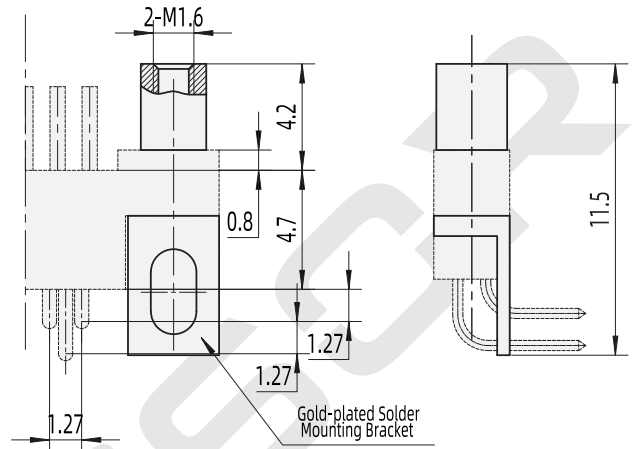
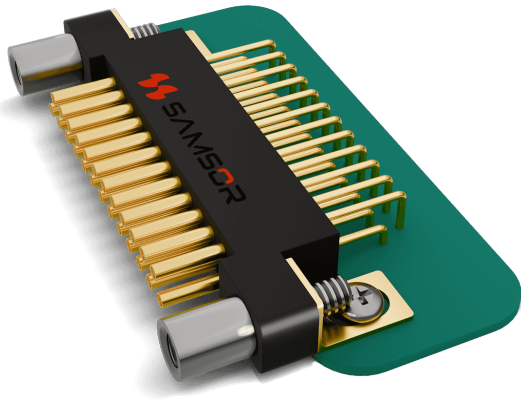


P2

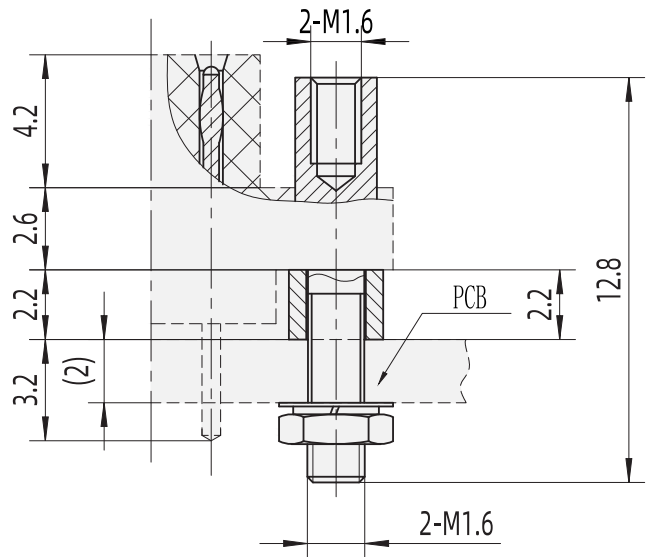
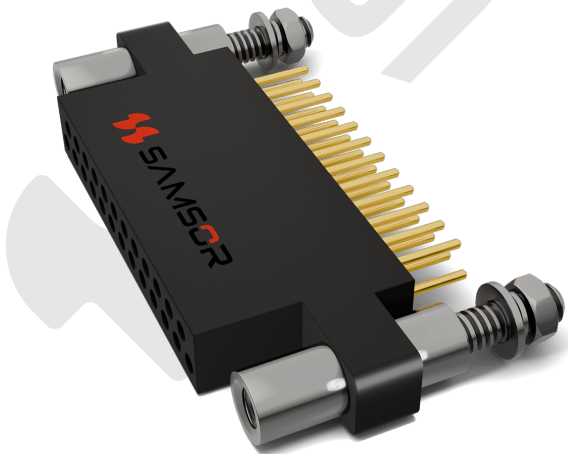


Hardware-Fixed End

P4



P3



Hardware-Fixed End

P6

